

# Product datasheet

## L 22 W/840 G10Q

LUMILUX T9 C | Circular fluorescent lamps 29 mm, with G10Q base



## Product datasheet

---

### Technical data

#### Additional product data

Appropriate disposal acc. to WEEE	Yes
-----------------------------------	-----

#### Certificates & standards

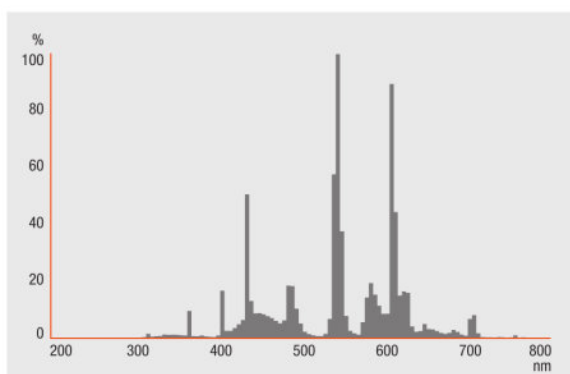
Energy efficiency class	G
-------------------------	---

#### Environmental information

Information according Art. 33 of EU Regulation (EC) 1907/2006 (REACH)	
Date of Declaration	18-04-2022
Primary Article Identifier	4008321581082
Declaration No. in SCIP database	In work

#### Light Distribution

---



---

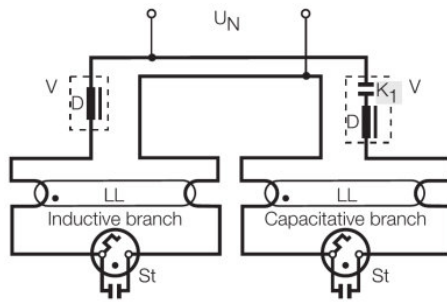
FL\_840

---

#### Equipment / Accessories

- Suitable for operation on electronic and conventional control gears

## Product datasheet



### DUO CIRCUIT

#### Ecodesign regulation information:

Separate control gear and light sources must be disposed of at certified disposal companies in accordance with Directive 2012/19/EU (WEEE) in the EU and with Waste Electrical and Electronic Equipment (WEEE) Regulations 2013 in the UK. For this purpose, collection points for recycling centres and take-back systems (CRSO) are available from retailers or private disposal companies, which accept separate control gear and light sources free of charge. In this way, raw materials are conserved and materials are recycled.

#### Logistical Data

Product code	Product description	Packaging unit (Pieces/Unit)	Dimensions (length x width x height)	Volume	Gross weight
4008321581082	L 22 W/840 G10Q	Shipping carton box 12 Pieces Sleeves	450 mm x 227 mm x 238 mm	24.31 dm <sup>3</sup>	2708.60 g

The mentioned product code describes the smallest quantity unit which can be ordered. One shipping unit can contain one or more single products. When placing an order, for the quantity please enter single or multiples of a shipping unit.

#### References / Links

For more information on QUICKTRONIC electronic control gear go to

▶ [www.osram.com/QUICKTRONIC](http://www.osram.com/QUICKTRONIC)

#### Disclaimer

Subject to change without notice. Errors and omission excepted. Always make sure to use the most recent release.

OSRAM is distribution partner  
of LEDVANCE of LAMPS

**OSRAM**

OSRAM GmbH  
Marcel-Breuer-Strasse 6  
80807 Munich, Germany

## L 22 W/840 G10Q

LUMILUX T9 C | Circular fluorescent lamps 29 mm, with G10Q base

Product name	Product name ECG	EAN	Nominal current	Nominal wattage + Power loss	Power factor $\lambda$ [PIM]	Luminous flux at 35 °C
L 22 W/840 G10Q	QT-ECO 1x18-24/220-240 S	4050300638560	0.14 A	20.00 W	0.60 c	1250 lm

Product name	Product name ECG	EAN	Number of lighting outlets
L 22 W/840 G10Q	QT-ECO 1x18-24/220-240 S	4050300638560	1